

SONY



LMD-2765MD

LMD-2760MD

LCD Monitors



* Measured diagonally



The LMD-2765MD and LMD-2760MD are Full HD 27-type LCD monitors with an advanced display technology, designed for use in medical environments. These monitors provide 2D color video displays of images from a surgical endoscope, laparoscopic camera system, and other compatible medical imaging systems. Their compact, stylish, and user-friendly design is suitable for modern advanced environments including operating rooms, surgical centers, clinics, doctor's offices, and similar locations.

The LMD-2765MD is equipped with Video, S Video and HD-15 inputs, in addition to DVI-D and SDI.

High Picture Quality

Large and Bright Full HD Screen

The 27-type*¹ LCD panel with 1,000 cd/m² brightness offers maximum brightness of 800 cd/m² @D65 adjustment.

*¹ 686 mm (27-inch), measured diagonally.

A.I.M.E.[™] (Advanced Image Multiple Enhancer)

A.I.M.E. technology allows improvement in image display and viewing.

Clear and High-contrast View

The OptiContrast Panel[™] achieves clear, high-contrast images by controlling reflection and minimizing light dispersion in the LCD panel. It also helps to eliminate dew condensation in the panel.



OptiContrast
Panel

Compact and Stylish Design

Narrow Bezel

The narrow bezel achieves a wider display area, even with the compact body.

Ergonomic Design

The easy-to-hold ergonomic design enables the user to adjust monitor position easily.



VESA Mounting

The VESA-mounting standard (100 x 100 mm) enables the device to be used in a variety of medical installations.



Easy to Use

User-friendly Control Panel

LED navigated operation enables easy setting, even in dark environments. The user can assign CUSTOM buttons (1 - 3) to commonly used functions.



Variety of Display Modes

A variety of display modes – including Mirror Image, Side-by-Side, Picture-in-Picture, and Picture-out-Picture – can be selected easily by simply pressing buttons.

Multi-image Display

Normal

Picture-in-Picture

Picture-out-Picture

Flip Pattern

Off **Mirror**

Rotate

Easy to Clean

The flat surface allows the user to easily wipe liquids and gels off the LCD panel and control buttons, facilitating cleanliness and disinfection.



IPX5 Waterproof Rating*2

*2 The IPX5 rating is for the front only. The other sides are rated IPX2.

Installation-friendly Cabling

All the connectors face downwards, allowing for easy and organized cable connection..

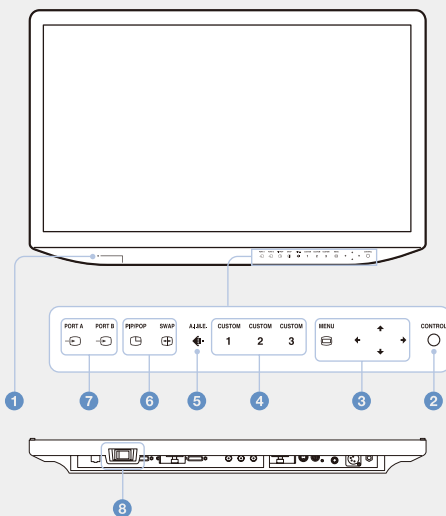


Compliance with Standards*3

These monitors are certified to IEC 60601-1 and applicable standards in respective countries or economic regions including Canada, Europe and the USA.

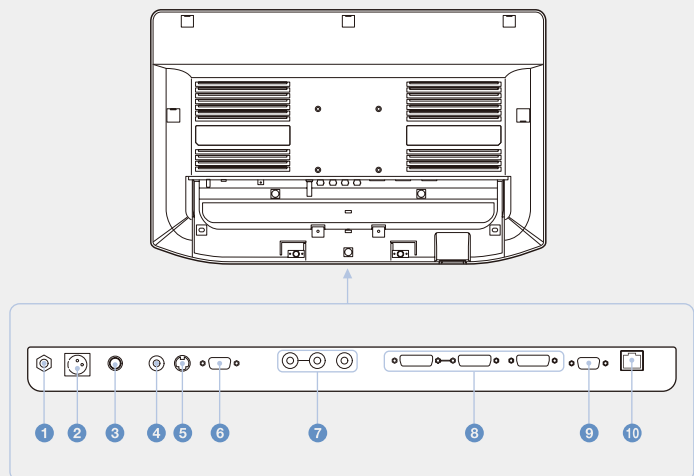
*3 For more details on compliance issues, please contact your nearest Sony office or an authorized dealer.

Front Panel



- 1 Power indicator
- 2 CONTROL button
- 3 OSD menu operation buttons
- 4 CUSTOM buttons (1,2,3)
- 5 A.I.M.E. button
- 6 Multi-image display setting buttons
- 7 Input select buttons
- 8 (ON/STANBY) switch

Connector Panel

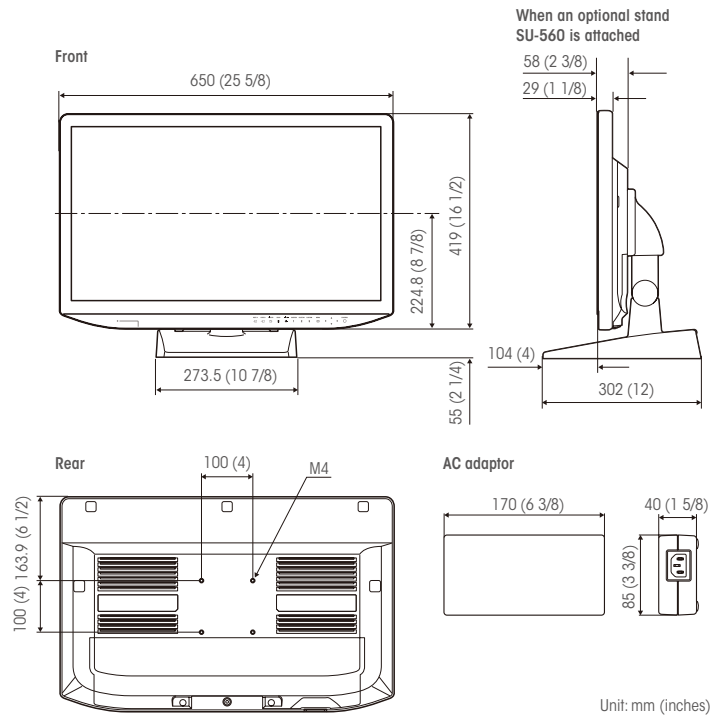


- 1 (Equipotential) terminal
- 2 DC 24 V IN connector
- 3 5 V connector
- 4 VIDEO input connector (BNC)
(LMD-2765MD only)
- 5 S VIDEO input connector (4-pin mini-DIN)
(LMD-2765MD only)
- 6 SERIAL REMOTE RS-232C connector
(D-sub 9-pin, female)
- 7 SDI input/output connector (BNC type)
- 8 DVI-D input/output connector (DVI-D)
- 9 HD15 input connector (D-sub 15-pin, female)
(LMD-2765MD only)
- 10 SERIAL REMOTE connector (RJ-45)

Specifications

	LMD-2765MD	LMD-2760MD
Picture Performance		
Panel	a-Si TFT Active Matrix LCD	
Picture Size (Diagonal)	686 mm (27 inches)	
Effective Picture Size (H x V)	597.9 x 336.3 mm (23 5/8 x 14 1/2 inches)	
Pixel pitch	0.3114 x 0.3114 mm	
Resolution (H x V)	1920 x 1080 pixels (Full HD)	
Aspect	16:9	
Pixel Efficiency	0.9999	
Backlight	LED	
Panel Technology	LCD with IPS	
Luminance (Panel Specification)	1000 cd/m ² (typical)	
Contrast Ratio	1000 : 1	
Colors	Approx. 16.7 million colors	
Viewing Angle (Panel Specification)	89°/89°/89°/89° (typical)	
Gamma	1.8, 2.0, 2.2, 2.4, 2.6, DICOM	
Input		
Composite Input	BNC (x1)	-
Y/C Input	Mini-DIN 4-pin (x1) Y: 1.0 Vp-p (75 Ω) C: 0.286 Vp-p (75 Ω, NTSC burst) 0.3 Vp-p (75 Ω, PAL burst)	-
RGB, Component Input	RGB: Via HD-15 connector (D-sub 15-pin)* 0.7 Vp-p (75 Ω) (when Sync On Green, 0.3 Vp-p sync) * Needs SMF-405 sold separately Component: Via HD-15 connector (D-sub 15-pin)* Y: 1.0 Vp-p (75 Ω) (including 0.3 Vp-p sync) Pb: 0.7 Vp-p (75 Ω), Pr: 0.7 Vp-p (75 Ω) * Needs SMF-405 sold separately	-
DVI-D Input	DVI-D (x2) TMDS single link	-
SDI Input	BNC (x2) 3G/HD/SD-SDI	-
HD15 Input	D-sub 15-pin (x1) RGB: 0.7 Vp-p (75 Ω) H/V Sync: Total level (polarity free) Plug & Play function: corresponds to DDC2B	-
External Sync Input	Via HD-15 connector (D-sub 15-pin)* * Needs SMF-405 sold separately 0.3 Vp-p to 4.0 Vp-p (75 Ω)	-
Serial Remote (LAN)	D-sub 9-pin (RS-232C) (x1), RJ-45 (x1) (Ethernet, 10BASE-T/100BASE-TX)	
DC Input	XLR-type 3-pin (male) (x1), 24 V DC (output impedance 0.05 ohms or less)	
Output		
DVI-D Output	DVI-D (x1)	
SDI Output	BNC (x1)	
DC 5 V Output	(x1), up to 1.2 A	
General		
Power Requirements	LCD monitor DC Input: 24 V, 6.25 A AC adaptor AC IN: 100 V - 240 V, 50/60 Hz, 2.5 A - 1 A	
Power Consumption	Approx. 102 W (max.)	
Operating Temperature	0°C to 35°C (32°F to 95°F) (Recommended: 20°C to 30°C (68°F to 86°F))	
Operating Humidity	30% to 85% (no condensation)	
Storage/transport Temperature	-20°C to +60°C (-4°F to +140°F)	
Storage/transport Humidity	0% to 90%	
Operating/Storage/transport Pressure	700 hPa to 1060 hPa	
Dimensions (W x H x D)	650 x 419 x 58 (25 5/8 x 16 1/2 x 2 3/8 inches) (Slimmest D 29 mm) 650 x 474 x 302 mm (25 5/8 x 18 3/4 x 12 inches) (with SU-560 optional stand)	
Mass	8.5 kg (18.75 lb)	
Mounting	100 x 100 mm VESA	
Supplied Accessories	AC adaptor (1) Before Using This Unit (1) CD-ROM (1) Sales Companies Guide (1) Warranty book (1)	

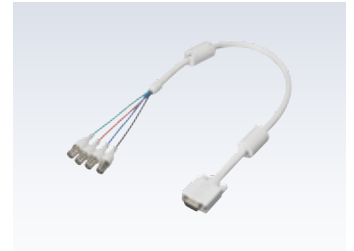
Dimensions



Optional Accessories



SU-560
Monitor Stand



SMF-405
RGB/HD-15 Single Cable

©2014 Sony Corporation. All rights reserved.
 Reproduction in whole or in part without written permission is prohibited.
 Features and specifications are subject to change without notice.
 The values for mass and dimension are approximate.
 Some images in this brochure are simulated.
 "SONY" and other marks are trademarks or registered trademarks of Sony Corporation.
 All other trademarks are the property of their respective owners.